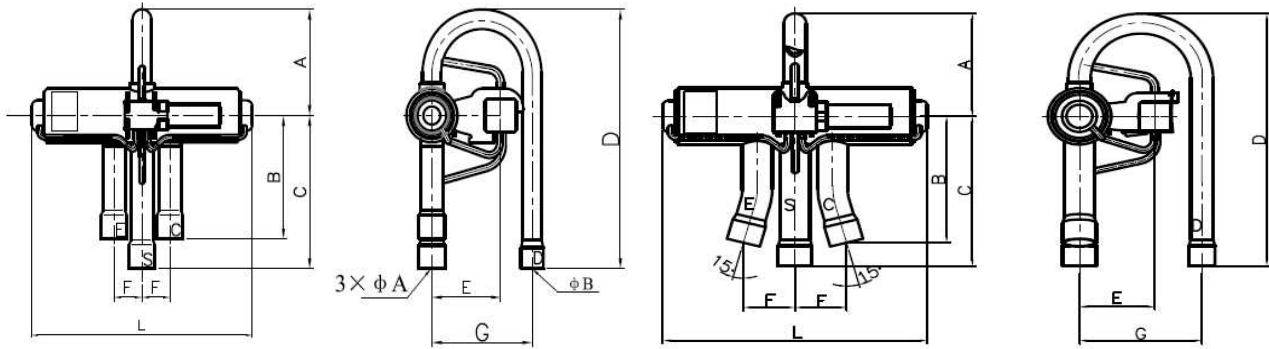
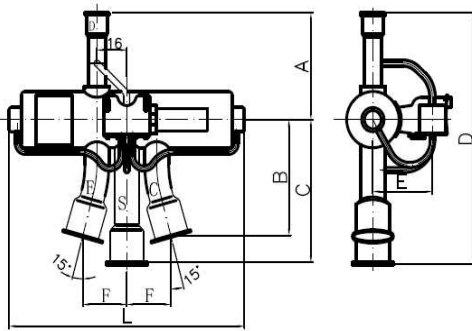


BRASS 4-Way Reversing Valve

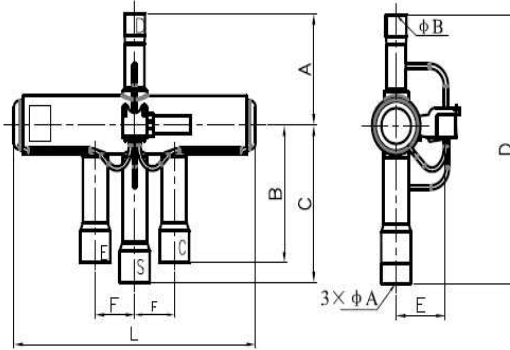


TYPE A

TYPE B

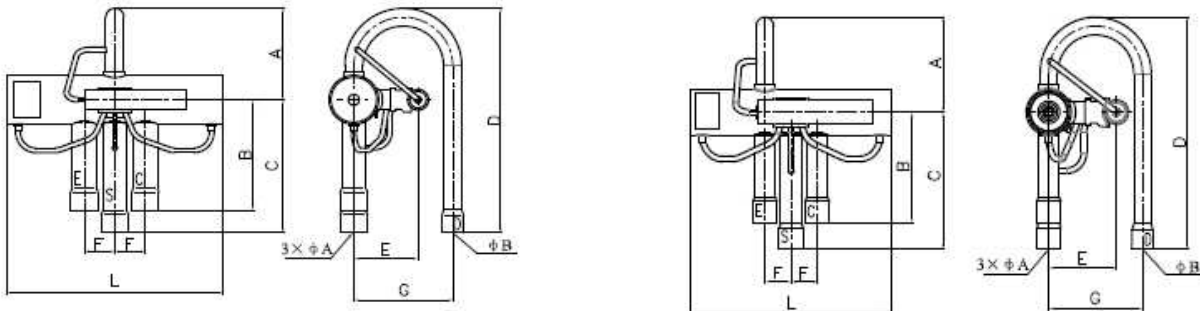


TYPE C



TYPE D

Stainless Steel 4-Way Reversing Valve



TYPE X

TYPE Y

No.	Tube Size (I.D)		Max. Working Pressure	Capacity (Tons)		
	Discharge	Suction		Normal	R22	R410A
DSF(H)-*4-23-**	5/16	3/8	4.2 MPa	1	0.75-2.0	0.9-2.2
DSF(H)-*7-34-**	3/8	1/2	4.2 MPa	2	0.75-2.0	0.9-2.2
DSF(H)-*9-34-**	3/8	1/2	4.2 MPa	2	0.75-2.0	0.9-2.2
DSF(H)-*11-45-**	3/8	5/8	4.2 MPa	3	1-2.8	1.3-3.1
DSF(H)-*20-46-**	1/2	3/4	4.2 MPa	6	1-5.5	1.3-6.7
DSF(H)-*35-67-**	3/4	7/8	4.2 MPa	10	3-9.9	3.8-11.9

Solenoid Coil

No.	Connection	Wire Length (inch)	Voltage V	Watts		Max. Working Temp. F
				50/60Hz W	DC W	
SQ-A22G	Lead-wire	any	AC220-240	4.5/3.5	-	266
SQ-A220	Lead-wire	any	AC220	4.5/3.5	-	266
SQ-A200	Lead-wire	any	AC200	4.5/3.5	-	266
SQ-A100	Lead-wire	any	AC100	4.5/3.5	-	266
SQ-D012	Lead-wire	any	DC12	-	10	266
SQ-D024	Lead-wire	any	DC24	-	11	266
SQ-D015	Lead-wire	any	DC15.4	-	13.1	266