

Ball Valve

OKAYAMA SEIKO

gangshan@gangshan.com

For Water up to 50% glycol

Features

- In-House Raw Material
- Anti-Corrosive Forging Body
- Brass body/ Stainless Steel Ball and Stem
- Seat: PTFE
- O-Ring: EPDM
- Rotation: Adjustable 90°
- Servicing: Maintenance Free

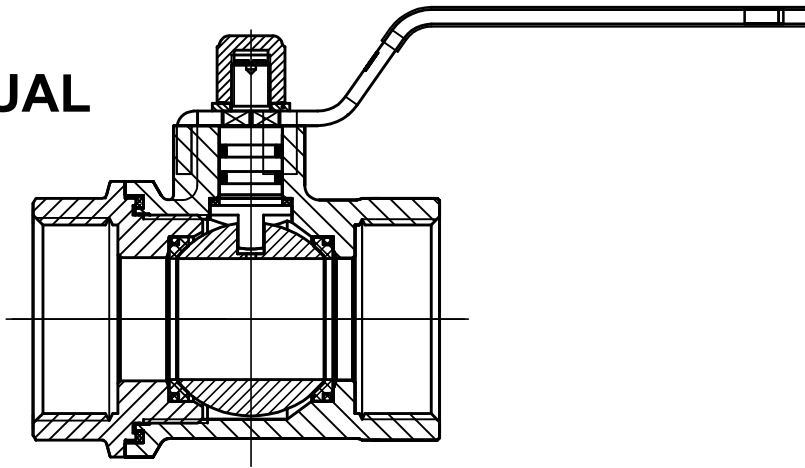
Specifications

- Valve Size (DN): 5/8" TO 1 3/16" (15 TO 33mm)
- Connection: External & Internal Thread Rp
- Flow Characteristic: Equal percentage
- Close-off Pressure: 80psi
- Temp: -15°F ~ +248°F (-10°C ~ +120°C)
- Leak Rate: 2g/ year

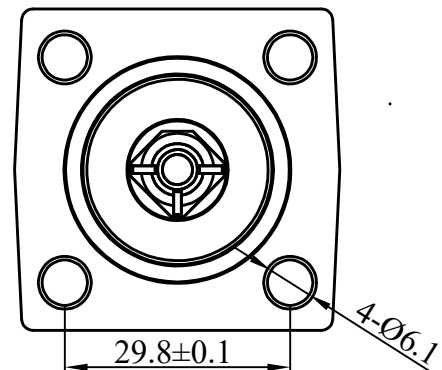
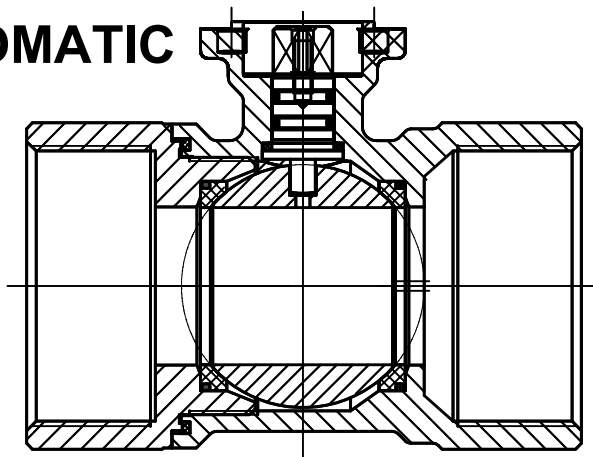
Applications

- Water Cooling, Heating
- Water up to 50% glycol

MANUAL



AUTOMATIC



Size	(in)	5/8"	3/4"	1"	1 -1/16"	1- 3/16"	1"	
	(mm)	DN15	DN20	DN25	DN27.5	DN33	DN25	
Thread Size		Rp3/4"	Rp1"	G1-1/4"	G1-1/2"	Rp 2	1-3/4-16UNF	
Fitting		Internal Thread					External	